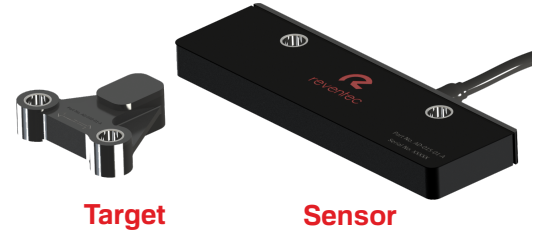


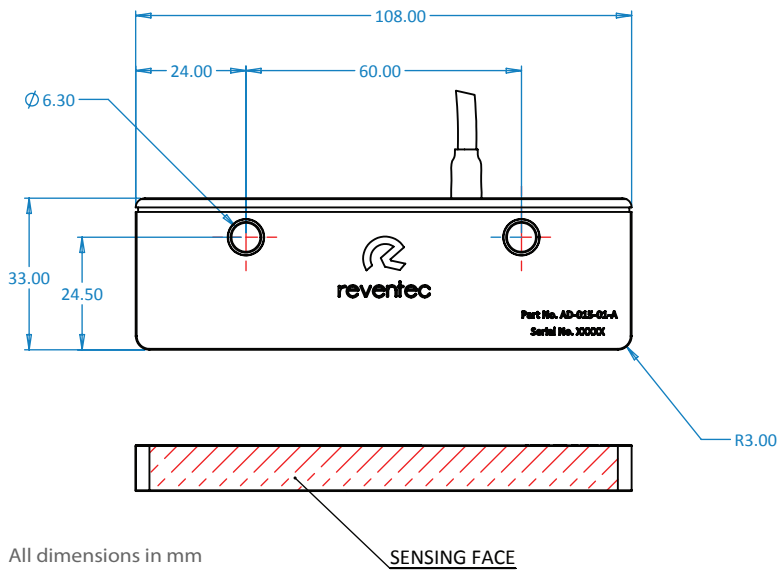
AD-015-01

150mm Position Sensor

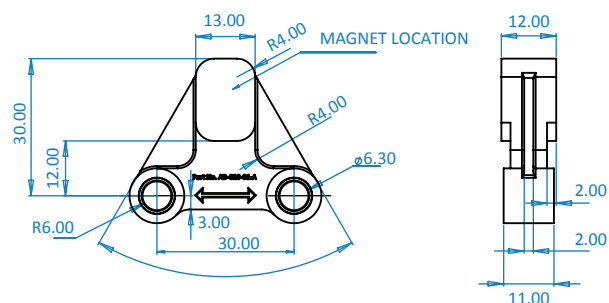


AD-015-01 is a robust, lightweight linear position sensor with a 150mm measurement range. The non-contact MagnetoResistive sensor provides extremely accurate position feedback in harsh environment applications.

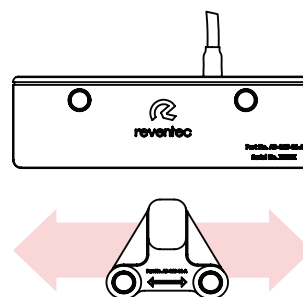
Dimensions - Sensor



Dimensions - Target



Mechanical Configuration





Technical Specifications - Sensor

Configuration	Linear
Sensing Range	0mm to 150mm (0 in to 5.9 in)
Air Gap	Up to 40mm
Supply Voltage	4.5 VDC to 18 VDC unregulated
Resolution	12 bit
Update Rate	10KHz
Output	Configurable 0.5 - 4.5 VDC Analogue* or CAN
Supply Current	<50 mA
Reverse Polarity	-40VDC
Sensitivity	26.6 mV/mm
Termination	5 core, 26 AWG screened cable with flying wires
Sensor Dimensions	108mm x 33mm x 10mm (4.3 x 1.3 x 0.4 in) - see drawing
Housing Material	Aluminium
Finish	Anodised
Mounting	M6 or ¼"
Linearity	+/- 0.4% full scale output
Operating Temperature	-40°C to 125°C (-40°F to 257°F)
Storage Temperature	-40°C to 150°C (-40°F to 302°F)
Vibration	10G from 10Hz to 2,000Hz
Shock	50 G half sine wave with 11 ms duration
Sealing	IP68
Part Number	AD-015-01

Technical Specifications - Target**

Magnet Strength	10,500 Gauss
Magnet Type	SmCo26
Dimensions	See Drawing
Finish	Anodised
Part Number (Target)	AD-010-01

* Sensor can be re-scaled by the end user to desired voltage output values over the required measurement range using the software provided (accessed via USB).

** Target contains a strong magnet; avoid close proximity with devices that may be adversely affected.
Specifications may be subject to change without prior notice

Product Code: AD-015-01 | Document: AD-015-DS-PRINT-US | Version 1.0

Reventec Ltd
Downton Business Centre, Downton
Salisbury, Wiltshire, SP5 3HU, UK

Tel: +44 (0)1725 557203
Email: info@reventec.com
Web: www.reventec.com

Registered in England and Wales, #08561556 ©2013 Reventec Ltd

