

AR Series

Resistive Output Liquid Level Sensor



- ⊙ Flex fuel compatible - does not require re-calibration
- ⊙ Suitable for all common fuels, hydrocarbons and other liquids
- ⊙ Solid-state, continuous liquid level sensing
- ⊙ Robust, durable construction
- ⊙ Low cost

AR Series liquid level sensors utilise solid-state hydrostatic measurement technology, with robust aluminium or stainless-steel housings and an SAE 5-bolt mounting pattern.

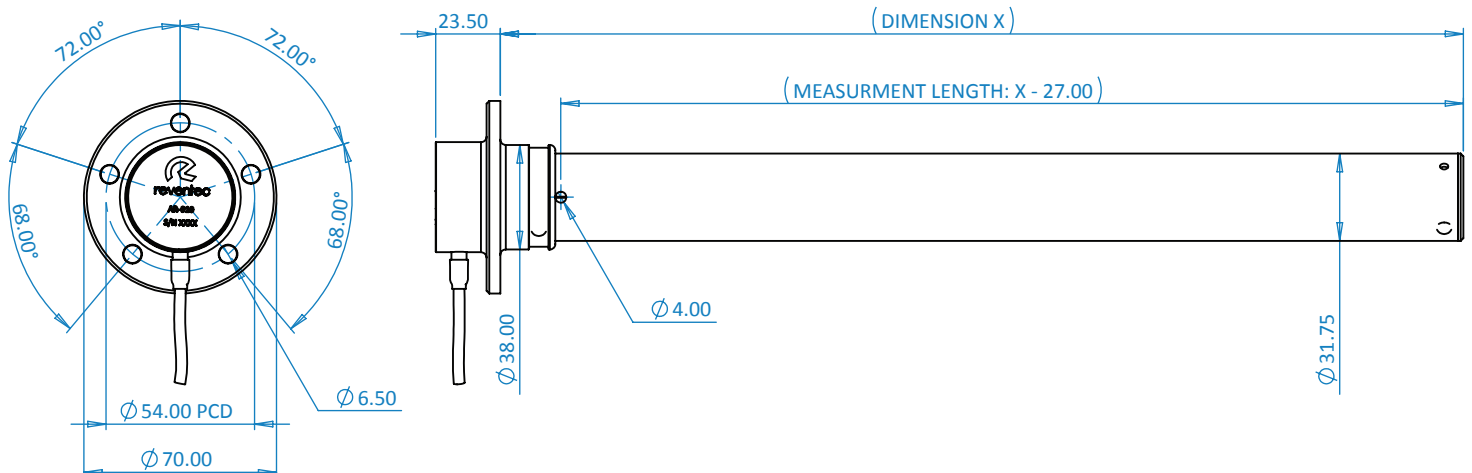
AR Series is available in four standard lengths and is compatible with all common fuels, oils, polar liquids and other automotive fluids, with no recalibration required between liquid types.

Standard Lengths Available

- ⊙ 250mm
- ⊙ 350mm
- ⊙ 650mm
- ⊙ 960mm



Dimensions





Level Measurement

Accuracy	±3% (of reading)
Measurement Rate	10Hz
Calibration	Fluid types can be interchanged without recalibration

Electrical

Supply Voltage	+6VDC to +30VDC
Typical Operating Current	<1mA at +12VDC

Output

Type	Resistance
Typical Output range	10-180 Ohm: Empty-full (EU) 240-33 Ohm: Empty-full (US) Custom: Contact us
Low level warning switch	Switch to ground. Max 1 Amp

Dimensions

Probe length	250mm, 350mm, 650mm or 960mm
Mounting	SAE 5-bolt
Recommended tank aperture	40mm diameter

Environmental

Environmental protection	IP67
Storage Temperature	-40°C to +80°C
Operating Temperature	-10°C to +80°C
Max tank pressure	1 bar(g)

Mechanical

Fluid Compatibility	Petroleum, Diesel, Bio-fuels, Water, Sea Water, AvGas, Methanol, Ethanol, Glycol (contact us for other fluid compatibilities).
Flange Material	Anodised Aluminium alloy or 316 stainless steel
Wetted Materials	Teflon FEP, anodised aluminium alloy or 316 stainless steel
Sealing Gaskets	FKM
Mass (nominal)	250mm = 200g 350mm = 250g 650mm = 325g 960mm = 400g

Connections

Sensor Terminating Connector	Reventec P/N: 09-008-01 (Binder 99 9225 050 08)	
Standard Cable Length	1m	
Connector Pin Outs	Description	Wire Colour
1	Resistive Output	Yellow
2	Ground (GND)	Black
3	Low Level Indicator (Switch to GND)	Blue
4	Tx Comms	White
5	Rx Comms	Green
6	Supply	Red
7	N/C	Orange
8	N/C	Purple

Accessories

Mating Sensor Connector	Reventec P/N: 09-009-01 (Binder P/N: 99 9228 050 08)
Panel Mount Adapter for Mating Connector	Reventec P/N: 09-007-01 (Binder P/N: 08 2636 000 001)

Order Information

Product Number	PCB Version	Issue Number	Length	Material	Finish	Cable Termination	Output
AR	010	01	XXXX	##	X	X	##
			0250 (250mm) 0350 (350mm) 0650 (650mm) 0960 (960mm)	AL (Aluminium) SS (Stainless Steel)	1 (black)* 2 (clear) *only available with AL material	0 (binder connector) 1 (flying lead)	EU (10-180 Ohm) US (240 - 33 Ohm) SP (custom)

Example Part Number: **AR-010-01-0250-AL-1-1-EU**

Specifications may be subject to change without prior notice

Product Code: AR-010 | Document: AR-010-DS-PRINT-US | Version 1.0

Reventec Ltd
Downton Business Centre, Downton
Salisbury, Wiltshire, SP5 3HU, UK

Tel: +44 (0)1725 557203
Email: info@reventec.com
Web: www.reventec.com

Registered in England and Wales, #08561556 ©2014 Reventec Ltd

