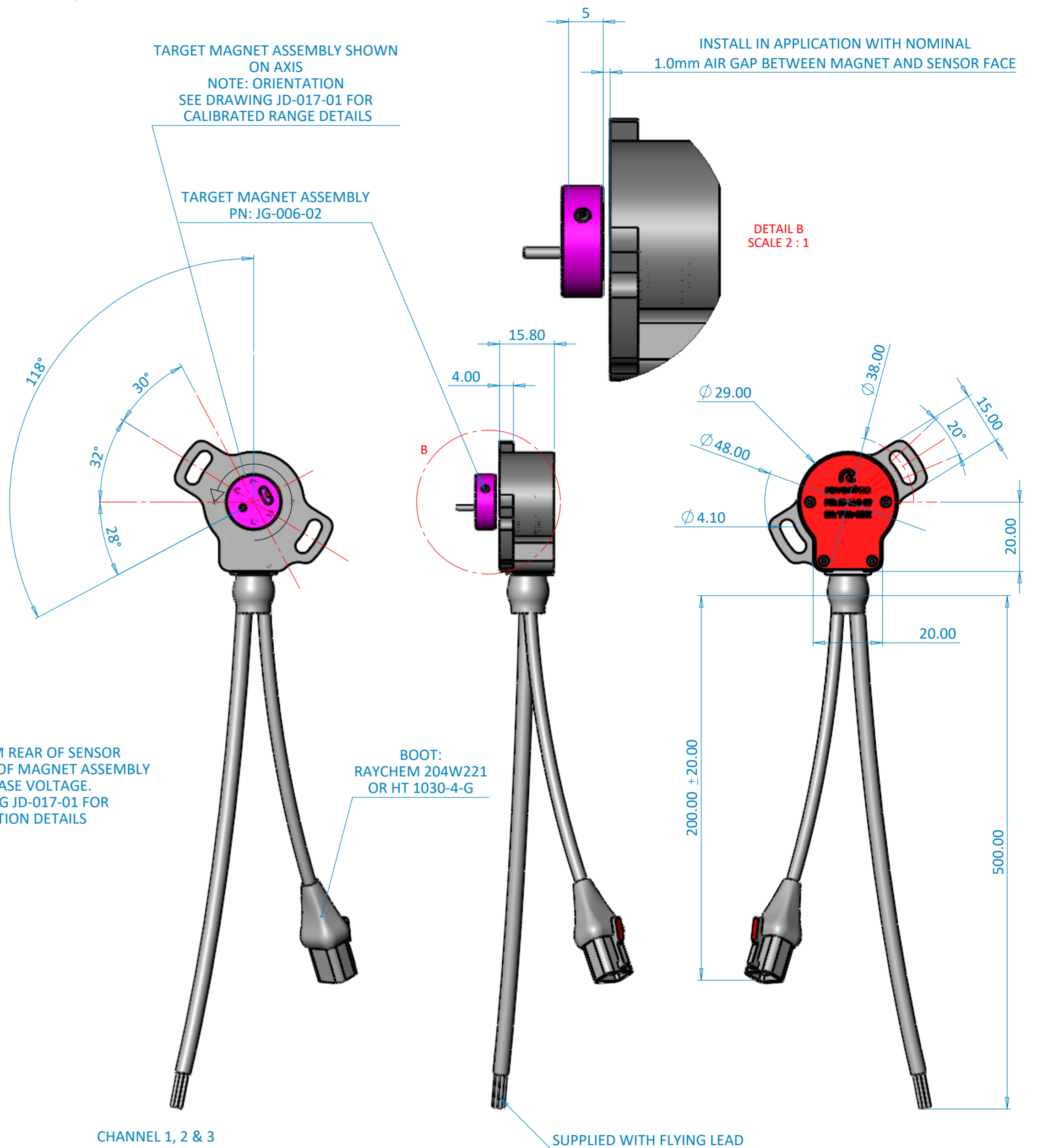


WIRING DEFINITION						
CONNECTOR TYPE		CONNECTOR PIN No.	DESIGNATION	COMMENTS	WIRE COLOUR	
CONNECTOR 1	TBA	CHAN 1	TBA	V+ 1 (REGULATED 5V)	RED	
			TBA	GnD 1	BLACK	
			TBA	SIGNAL 1 OUT	0.5 - 4.50VDC	YELLOW
		CHAN 2	TBA	V+ 2 (REGULATED 5V)	GREEN	
			TBA	GnD 2	WHITE	
			TBA	SIGNAL 2 OUT	0.25-2.25VDC	VIOLET
CHAN 3	TBA	GnD 3	GREY			
	TBA	SIGNAL 3 OUT	0.50 - 4.50VDC	ORANGE		
CONNECTOR 2	DEUTSCH ASC605-06PN	COMMS ONLY	PIN 1	Tx CHAN 1	CONFIGURATION / CALIBRATION ONLY	WHITE
			PIN 2	Rx CHAN 1	CONFIGURATION / CALIBRATION ONLY	GREEN
			PIN 3	Tx CHAN 2	CONFIGURATION / CALIBRATION ONLY	VIOLET
			PIN 4	Rx CHAN 2	CONFIGURATION / CALIBRATION ONLY	BLUE
			PIN 5	Tx CHAN 3	CONFIGURATION / CALIBRATION ONLY	BLACK
			PIN 6	Rx CHAN 3	CONFIGURATION / CALIBRATION ONLY	RED

Configuration:	Rotary
Sensing Range:	0-359° (configurable see Note 1)
Calibrated sensing range:	20° (see drawing JD-017-01 for details)
Air Gap:	1mm (See drawing)
Supply Voltage:	+5VDC ±0.25VDC Regulated
Resolution:	12 bit
Update Rate:	5kHz
Output 1:	0.50VDC – 4.50VDC analogue (Configurable see Note 1)
Output 2:	0.25VDC – 2.25VDC analogue (Configurable see Note 1)
Output 3:	0.50VDC – 4.50VDC analogue (Configurable see Note 1)
Supply Current:	nom 25mA per channel @ 5VDC
Reverse Polarity:	Can be connected in reverse for short period without damage.
Sensitivity:	Min. 200mV/Degree
Termination:	See drawing & table above
Wiring:	26 AWG RW-200E
Sensor Dimensions:	Approx. 48mm x 35mm x 16mm (see drawing view)
Housing Material:	Aluminium 6082-T6
Finish:	Anodised Black
Mounting:	2 x M4 (see drawing)
Linearity:	+/- 0.4% full scale output
Operating Temperature:	-40°C to 150°C
Storage Temperature:	-40°C to 125°C
Vibration:	10G from 10Hz to 2,000Hz
Shock:	50 G half sine wave with 11 ms duration
Sealing:	IP67
Part Number:	JD-050-02
Target magnet:	(Part Number JG-006-02) Refer to Drawing for installation guide.
Note 1	Customers can recalibrate the sensing range between 0-359° and the output to a specific range (min 0.10VDC / max 4.90VDC) if required. To facilitate this there is a USB comms box (Pt. No. 07-003-01) and a GUI (free) available.



UNLESS OTHERWISE SPECIFIED:		FINISH:	DEBUR AND BREAK SHARP EDGES	REVISION	ISSUE	DESCRIPTION	DATE	APPROVED
DIMENSIONS ARE IN MILLIMETERS		ANODISED: BLACK / RED		01	INITIAL RELEASE		11.3.22	NJM
SURFACE FINISH:				02	BLUE WIRE TO CHANNEL 3 REMOVED / DISCONNECTED		13.5.22	NJM
TOLERANCES:								
LINEAR: ±0.05								
ANGULAR: ±0.05								
DRAWN	NAME	SIGNATURE	DATE	TITLE:				
CHK'D	NJM		05.05.20	Q360 TRIPLE CHANNEL 5V 150°C TMR				
APP'VD				ROTARY POSITION SENSOR - TWIN CABLE				
MFG				DWG NO. JD-050-02				
G.A.				MATERIAL: AL 6082 T6				
© DESIGN COPYRIGHT RESERVED		THIRD ANGLE		SCALE: 1:1				
reventec				SHEET 1 OF 1				
MATERIAL: AL 6082 T6		WEIGHT:		A2				