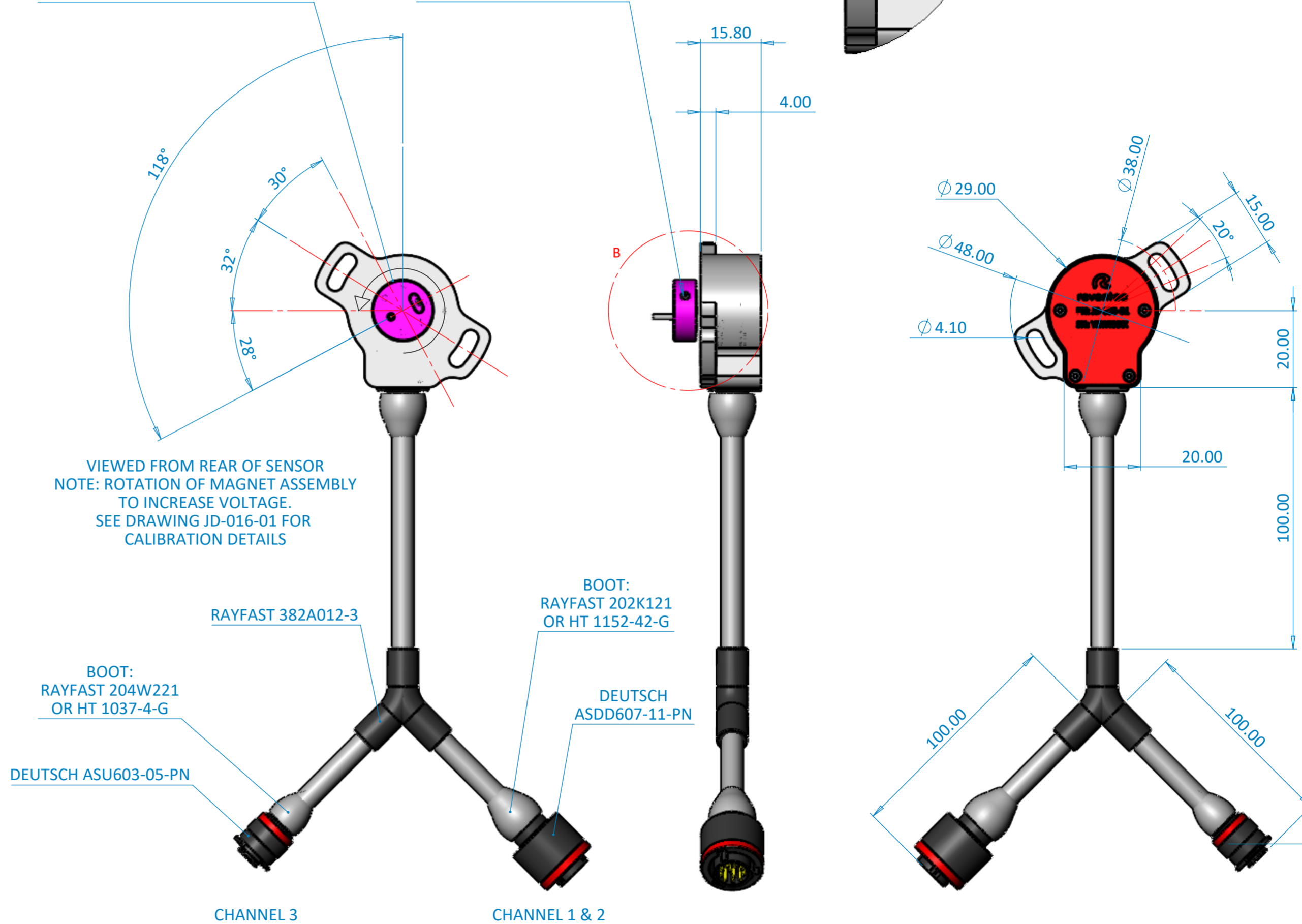


WIRING DEFINITION					
CONNECTOR TYPE	CONNECTOR PIN No.	DESIGNATION	COMMENTS		
CONNECTOR 1	DEUTSCH ASDD607-11PN-HE	CHAN 1 + 2	PIN 1	V+ 1 (REGULATED 5V)	
			PIN 2	GnD 1	
			PIN 3	SIGNAL 1 OUT	0.5 - 4.50VDC
			PIN 4	V+ 2 (REGULATED 5V)	
			PIN 5	GnD 2	
			PIN 6	SIGNAL 2 OUT	0.25-2.25VDC
			PIN 7	Tx CHAN 1	CONFIGURATION / CALIBRATION ONLY
			PIN 8	Rx CHAN 1	CONFIGURATION / CALIBRATION ONLY
			PIN 9	Tx CHAN 2	CONFIGURATION / CALIBRATION ONLY
			PIN 10	Rx CHAN 2	CONFIGURATION / CALIBRATION ONLY
			PIN 11	N/C	SPARE
CONNECTOR 2	DEUTSCH ASU603-05PN	CHAN 3	PIN 1	V+ 3 (REGULATED 5V)	
			PIN 2	GnD 3	
			PIN 3	SIGNAL 3 OUT	0.50 - 4.50VDC
			PIN 4	Tx CHAN 3	CONFIGURATION / CALIBRATION ONLY
			PIN 5	Rx CHAN 3	CONFIGURATION / CALIBRATION ONLY

Configuration:	Rotary
Sensing Range:	0-359° (configurable see Note 1)
Calibrated sensing range:	20° (see drawing JD-016-01 for details)
Air Gap:	1mm (See drawing)
Supply Voltage:	+5VDC ± 0.25VDC Regulated
Resolution:	12 bit
Update Rate:	5kHz
Output 1:	0.50VDC – 4.50VDC analogue (Configurable see Note 1) AS007-35PN-HE
Output 2:	0.25VDC – 2.25VDC analogue (Configurable see Note 1) AS007-35PN-HE
Output 3:	0.50VDC – 4.50VDC analogue (Configurable see Note 1) ASU003-03PN
Supply Current:	nom 25mA per channel @ 5VDC
Reverse Polarity:	Can be connected in reverse for short period without damage.
Sensitivity:	Min. 200mV/Degree
Termination:	See drawing & table above
Wiring:	26 AWG RW-200E
Sensor Dimensions:	Approx. 48mm x 35mm x 16mm (see drawing view)
Housing Material:	Aluminium 6082-T6
Finish:	Anodised Black
Mounting:	2 x M4 (see drawing)
Linearity:	+/- 0.4% full scale output
Operating Temperature:	-40 °C to 150 °C
Storage Temperature:	-40 °C to 125 °C
Vibration:	10G from 10Hz to 2,000Hz
Shock:	50 G half sine wave with 11 ms duration
Sealing:	IP67
Part Number:	JD-030-01
Target magnet:	(Part Number JG-006-02) Refer to Drawing for installation guide.
Note 1	Customers can recalibrate the sensing range between 0-359° and the output to a specific range (min 0.10VDC / max 4.90VDC) if required. To facilitate this there is a USB comms box (Pt. No. 07-003-01) and a GUI (free) available.

TARGET MAGNET ASSEMBLY SHOWN ON AXIS
NOTE: ORIENTATION SEE DRAWING JD-016-01 FOR CALIBRATED RANGE DETAILS

TARGET MAGNET ASSEMBLY PN: JG-006-02



UNLESS OTHERWISE SPECIFIED: DIMENSIONS ARE IN MILLIMETERS		FINISH:	ANODISED: BLACK / RED	DEBUR AND BREAK SHARP EDGES	REVISION	ISSUE	DESCRIPTION	DATE	APPROVED
SURFACE FINISH:					01	FIRST RELEASE		04.01.22	NJM
TOLERANCES:									
LINEAR:									
ANGULAR:									
DRAWN	NAME	SIGNATURE	DATE						
CHK'D	NJM		04.01.22						
APP'VD									
MFG									
G.A.									
MATERIAL:				AL 6082 T6					
WEIGHT:									
TITLE:				Q360 TRIPLE CHANNEL 5V 150 °C TMR ROTARY POSITION SENSOR - SINGLE CABLE					
DWG NO.				JD-030-01					
SCALE:				1:1					
SHEET 1 OF 1									